

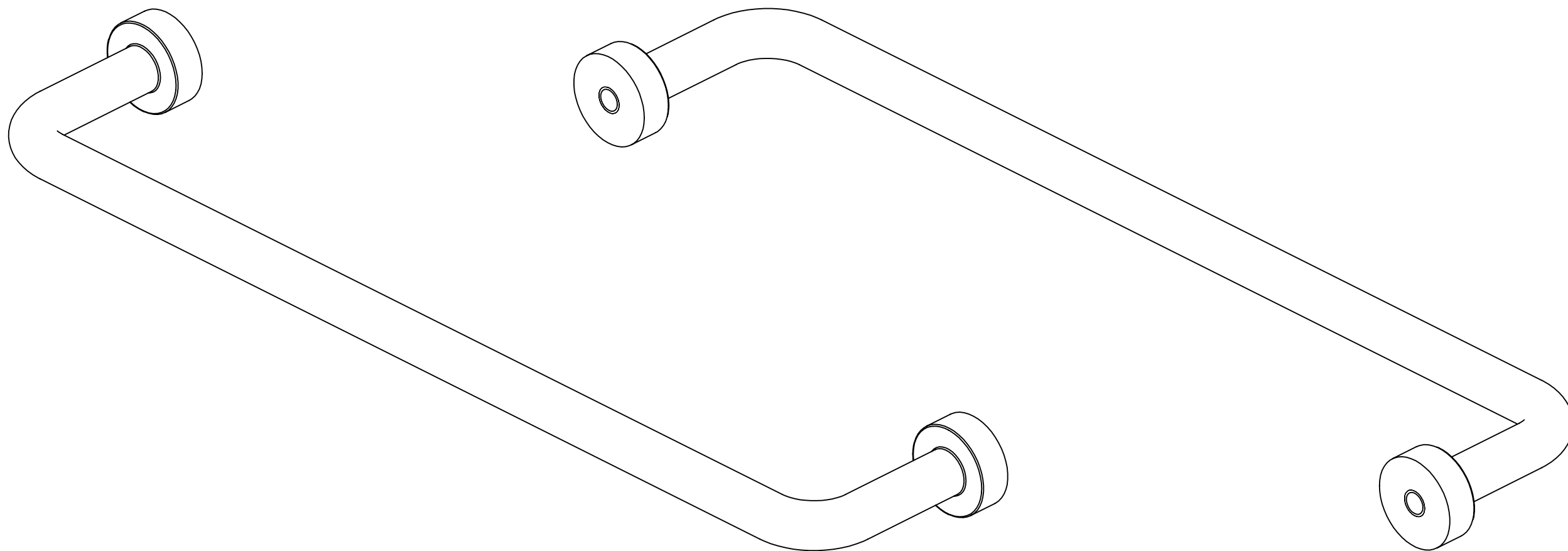
Part name:	Projection:	Sheet format:	Tolerance unless otherwise specified DS/ISO 2768-1M																
		A3																	
Customer:	Drawn by:	Scale:	Linear dimensions:																
	IKR date 18-04-2017	1:1	<table border="1"> <tr> <td>0-3</td> <td>3-6</td> <td>6-30</td> <td>30-120</td> <td>120-400</td> <td>400-1000</td> <td>1000-2000</td> <td>2000-4000</td> </tr> <tr> <td>± 0.1</td> <td>± 0.1</td> <td>± 0.2</td> <td>± 0.3</td> <td>± 0.5</td> <td>± 0.8</td> <td>± 1.2</td> <td>± 2</td> </tr> </table>	0-3	3-6	6-30	30-120	120-400	400-1000	1000-2000	2000-4000	± 0.1	± 0.1	± 0.2	± 0.3	± 0.5	± 0.8	± 1.2	± 2
0-3	3-6	6-30	30-120	120-400	400-1000	1000-2000	2000-4000												
± 0.1	± 0.1	± 0.2	± 0.3	± 0.5	± 0.8	± 1.2	± 2												
Part no.: 546260xxx	Page 1 of 2	Weight:	Angle																
Material:		70	Radius																
			± 0.5°																
			± 0.2																

Part no	C/C	Length
546260128	128	142
546260160	160	174

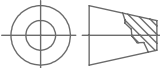
Rev.:	Date:	Name:	Description:
A	18-04-2017	IKR	Initial release
B	10-04-2019	IKR	Length added (142)
C	03-07-2019	MCH	Part no. changed and length 142 removed
D	13-01-2021	MCH	length 142 added

furnipart®

Delta 2 Phone: +45 87 64 35 00
DK-8382 Hinnerup Fax: +45 87 64 35 01



Rev.:	Date:	Name:	Description:
A	18-04-2017	IKR	Initial release
B	10-04-2019	IKR	Length added (142)
C	03-07-2019	MCH	Part no. changed and length 142 removed
D	13-01-2021	MCH	length 142 added

Part name:	Projection: 	Sheet format: A3	Tolerance unless otherwise specified DS/ISO 2768-1M																			
Customer:	Drawn by: IKR date 18-04-2017	Scale: 1.5:1	<table border="1"> <tr> <th>Linear dimensions:</th> <th>0-3</th> <th>3-6</th> <th>6 - 30</th> <th>30- 120</th> <th>120- 400</th> <th>400- 1000</th> <th>1000 2000</th> <th>2000 4000</th> </tr> <tr> <td></td> <td>± 0.1</td> <td>± 0.1</td> <td>± 0.2</td> <td>± 0.3</td> <td>± 0.5</td> <td>± 0.8</td> <td>± 1.2</td> <td>± 2</td> </tr> </table>		Linear dimensions:	0-3	3-6	6 - 30	30- 120	120- 400	400- 1000	1000 2000	2000 4000		± 0.1	± 0.1	± 0.2	± 0.3	± 0.5	± 0.8	± 1.2	± 2
Linear dimensions:	0-3	3-6	6 - 30	30- 120	120- 400	400- 1000	1000 2000	2000 4000														
	± 0.1	± 0.1	± 0.2	± 0.3	± 0.5	± 0.8	± 1.2	± 2														
Part no.: 546260xxx	Material:	Page 2 of 2	Weight: 70	<table border="1"> <tr> <th>Angle</th> <th>Radius</th> </tr> <tr> <td>± 0.5°</td> <td>± 0.2</td> </tr> </table>	Angle	Radius	± 0.5°	± 0.2														
Angle	Radius																					
± 0.5°	± 0.2																					
		furnipart®		Delta 2 DK-8382 Hinnerup Phone: +45 87 64 35 00 Fax: +45 87 64 35 01																		
COPYRIGHT: THIS DRAWING MAY NOT BE COPIED OR REPRODUCED IN ANY WAY WITHOUT DIRECT PERMISSION FROM FURNIPART A/S																						